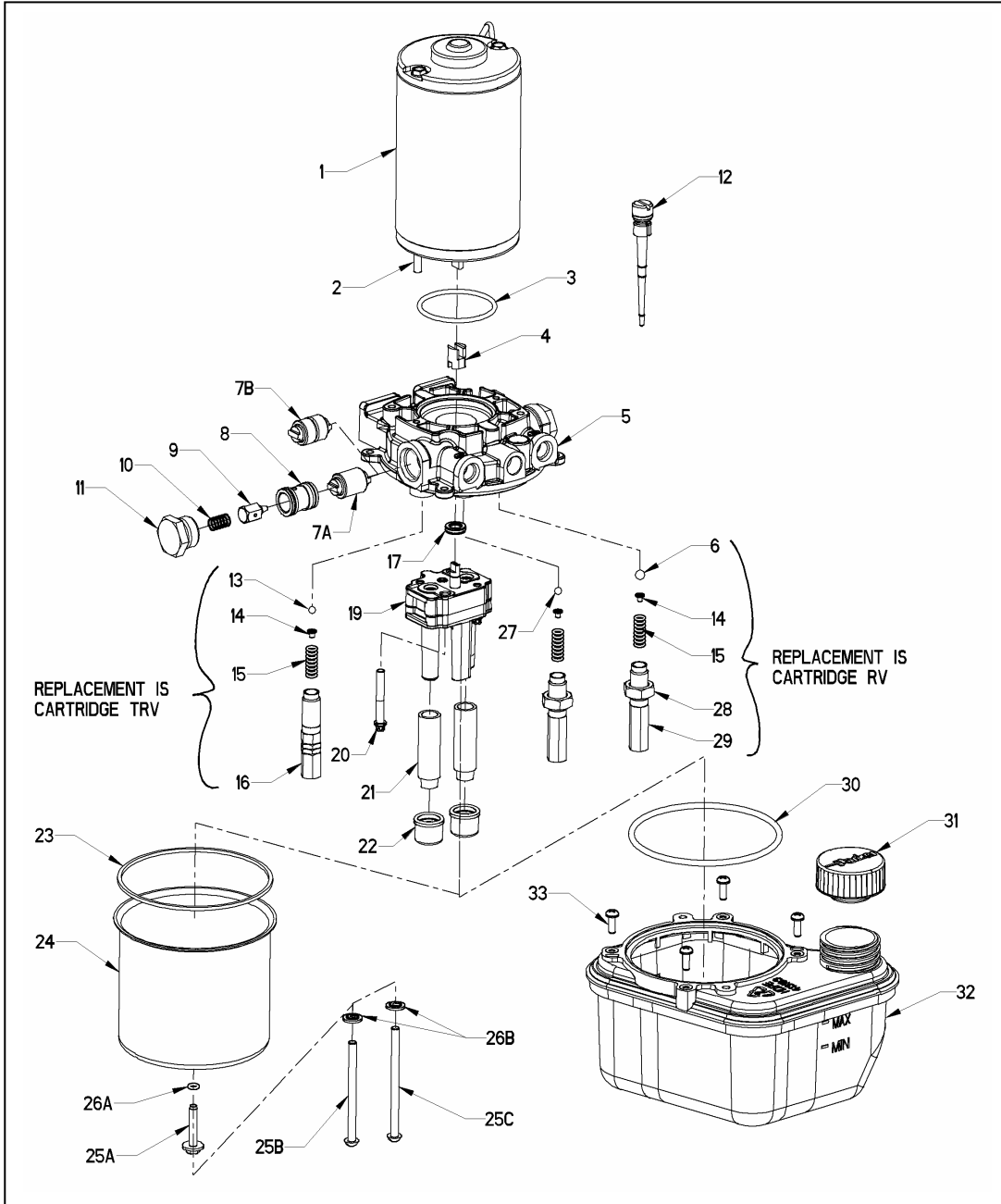


**108 Series Power Unit
 Generic Exploded View Drawing**

4/07



Reversible Locking, Vertical Mount Shown at left

Item #	Part #	Description	Qty
1	*	Motor	1
2	*	Motor mount screws	2
3	405673	O-ring (132-70)	1
4	413528	Coupling	1
5	*	Adapter	1
6	401065	Steel ball 1/4"	1 - 2
7A	*	Spool	1
7B	*	Spool with o-ring	1
8	773763	Check seat	2
9	773776	Check poppet	0 - 2
10	410462	Spring	0 - 2
11	773764	Hex plug retainer	2
12	773762	Dipstick 'A' & 'B' tanks only	0 - 1
13	411167	Resin ball (TRV)	0 - 2
14	411173	Eyelet	1 - 4
15	* & **	TRV spring	0 - 2
16	* & **	TRV adjusting screw	0 - 2
17	410512	Shaft Seal	1
18	N/A	N/A	0
19	*	Pump assembly	1
20	*	Pump mount screw	2
21	*	Suction extension	0 - 2
22	410521	Suction filter	1 - 2
23	410578	Reservoir seal - 'A' & 'B' tanks only	1
24	411477	Reservoir 'A'	0 - 1
	410541	Reservoir 'B'	0 - 1
25A	411355	'A' Reservoir mount screw	0 - 1
25B	409715	'B' Reservoir mount screw - .327 pump	0 - 1
25C	411796	'B' Reservoir mount screw - .100, .190 & .250 pumps	0 - 1
26A	409815	'A' Reservoir screw o-ring	0 - 1
26B	359071	'B' Reservoir screw thread seal	0 - 1
27	401072	Steel ball 3/16"	1
28	410288	Hex jam nut	1 - 2
29	* & **	Relief valve adjusting screw	1 - 2
30	411237	Reservoir seal - 'C' & 'D' tanks	0 - 1
31	414536	Reservoir cap - 'C' & 'D' tanks	0 - 1
32	413183	Reservoir 'C'	0 - 1
	413358	Reservoir 'D'	0 - 1
33	413222	Reservoir mount screws - 'C' & 'D' tanks	0 or 4
	634412	Seal Kit (fits all)	
	*	Please specify Model Code Description or 6-digit part number when ordering these items	
	**	Please specify relief valve setting(s) when ordering these items	